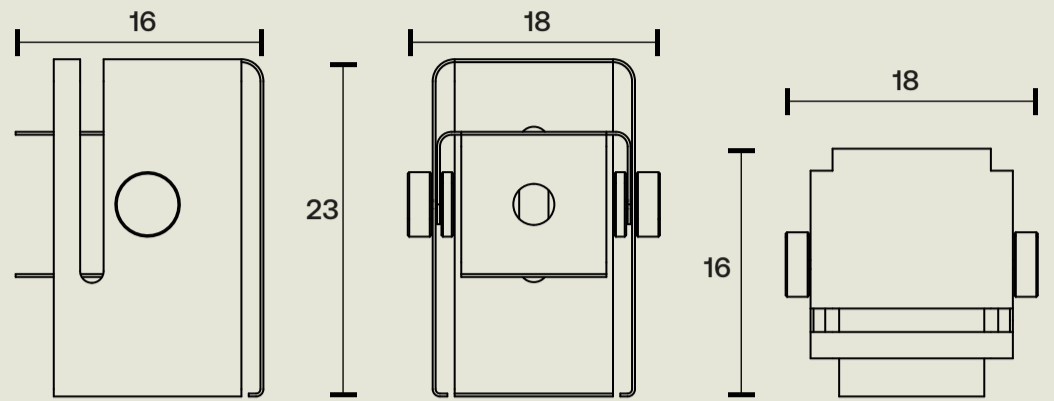


Shade Lamp

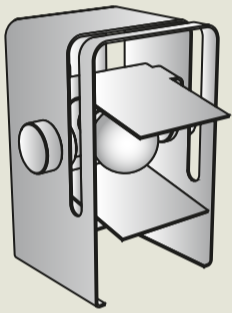


The Shade lamp is a new edition of an original W&M design from 1975. This timeless lamp is finished in full anodized aluminum, like all the W&M production.

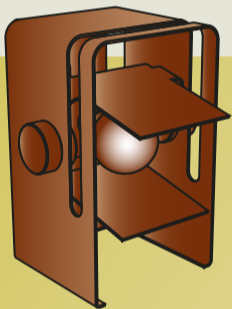
- swiveling shade
- E14 LED bulb
- silk cord
- UE plug and specification
- any plug available on request



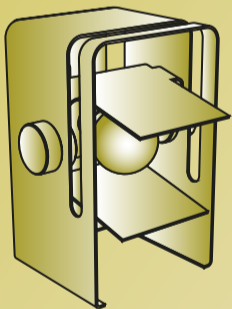
FINISHES :



natural anodized aluminum
SHADE 1A-20N



natural red metallized epoxy
SHADE 1A-20R



champagne anodized aluminum
SHADE 1A-20C

